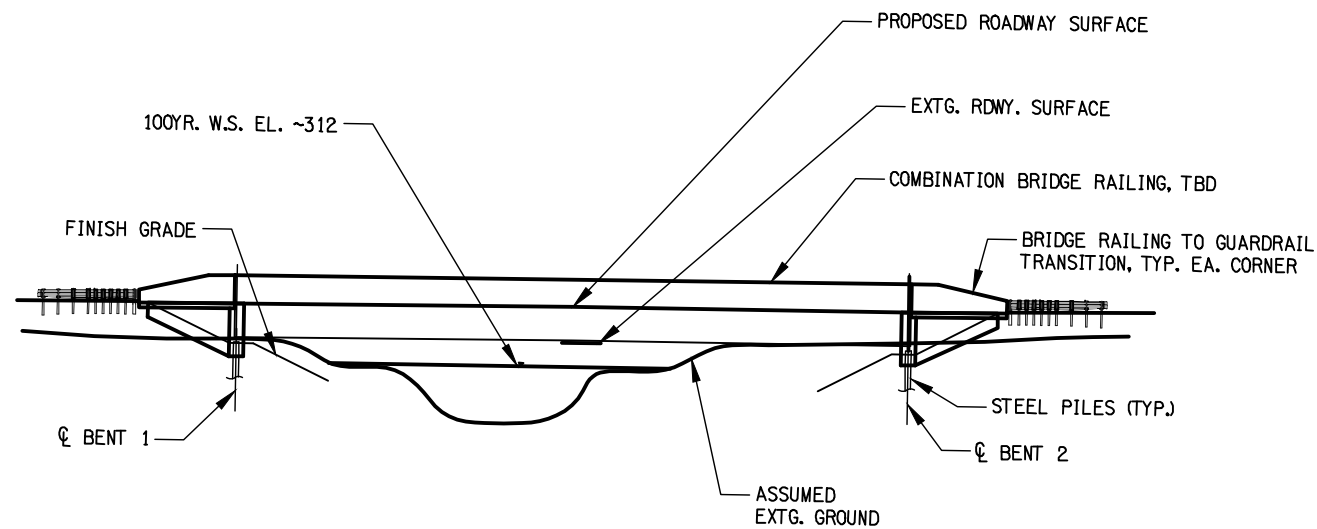
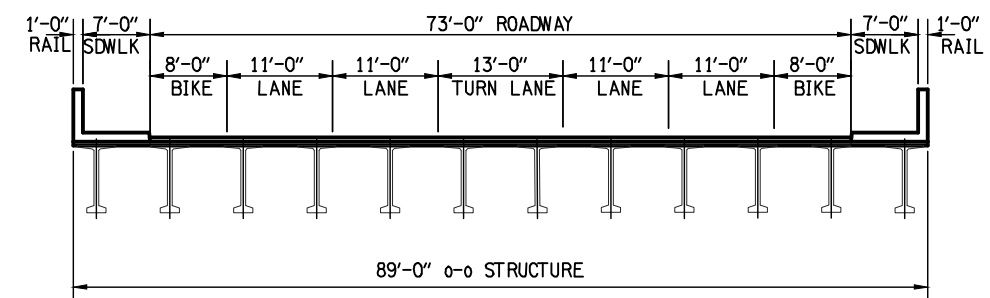



PLAN
SCALE: 1"=40'



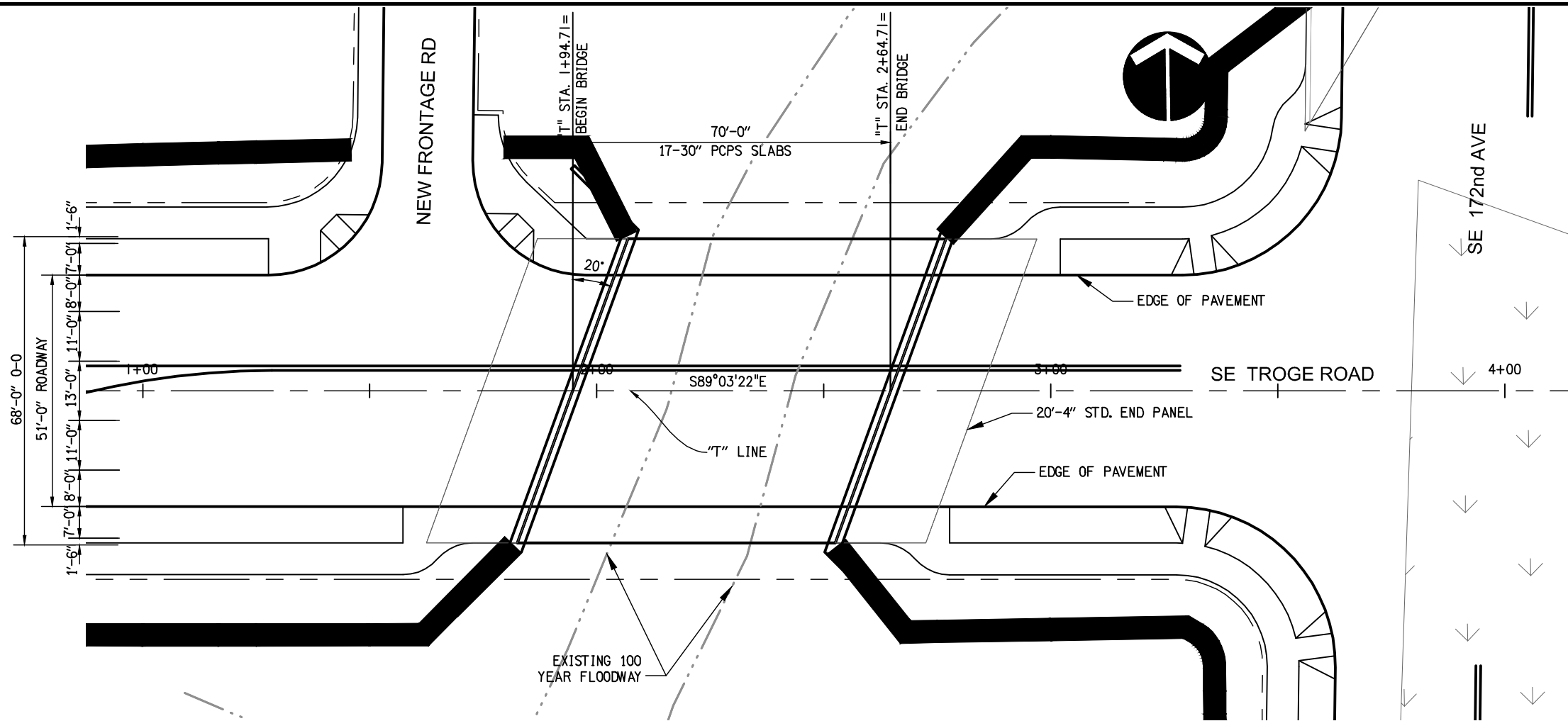
ELELVATION
SCALE: 1"=40'



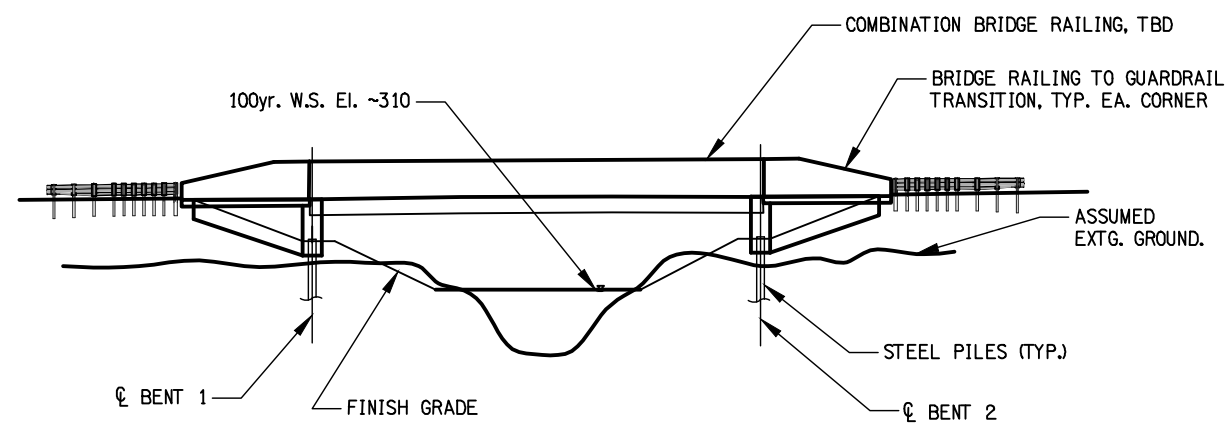
TYPICAL DECK SECTION
NO SCALE

CLACKAMAS COUNTY DEPARTMENT OF TRANSPORTATION AND DEVELOPMENT		172nd / 190th CORRIDOR PLAN	
 172nd / 190th Corridor Plan		ROCK CREEK, SE 172ND AVE BRIDGE REPLACEMENT PLAN AND ELEVATION	
DRAWN BY SLR	DATE 09/16/11	REVISION No. DATE	SHEET No. ST 1.01
CHECKED BY ASL	DATE 09/16/11	APPROVED BY AMO	DATE 09/16/11

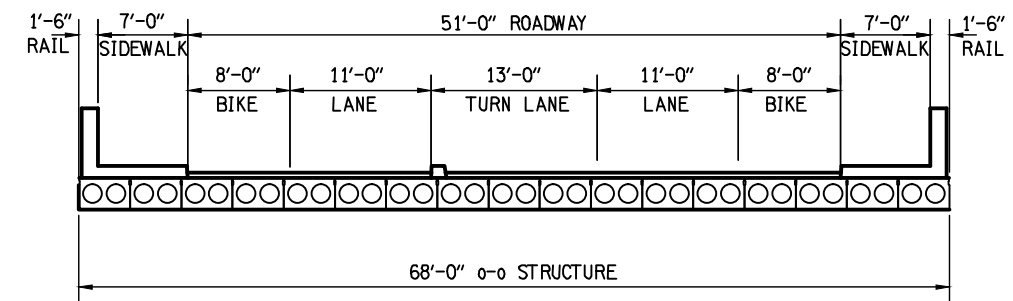
Drawing name: L:\Project\1530015343D\w\p343ST101.dwg Oct 26, 2011 - 3:33pm



PLAN
SCALE: 1"=30'

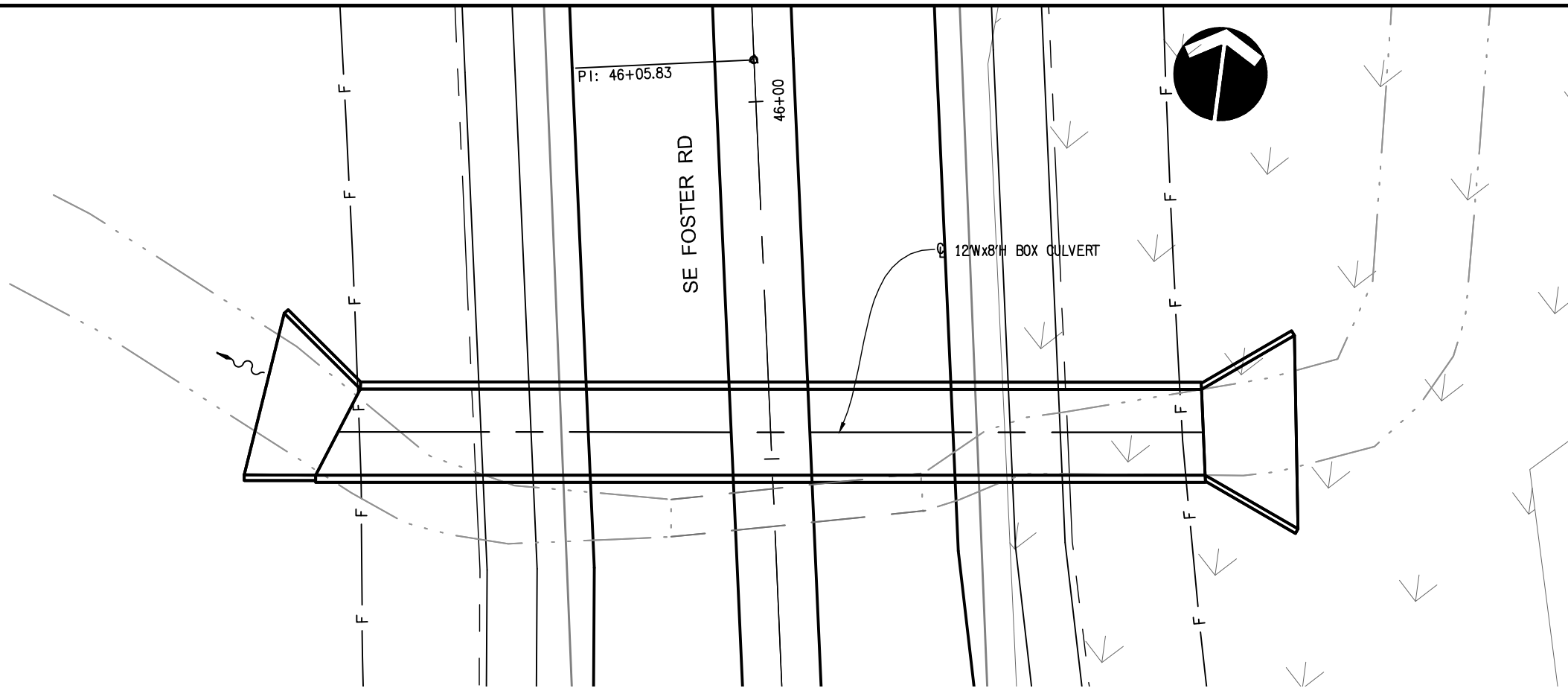


ELEVATION
SCALE: 1"=30'

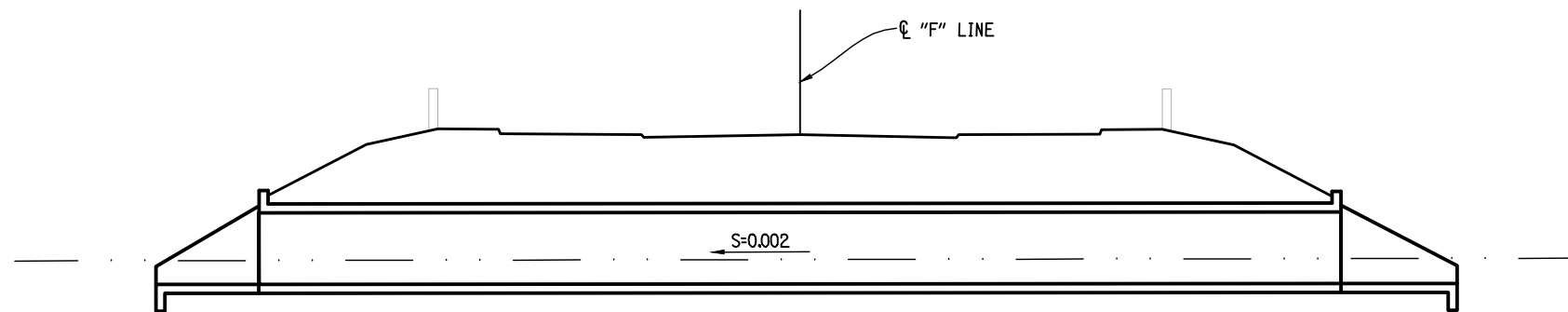


TYPICAL DECK SECTION
NO SCALE


	CLACKAMAS COUNTY DEPARTMENT OF TRANSPORTATION AND DEVELOPMENT		172nd / 190th CORRIDOR PLAN	
	172nd / 190th Corridor Plan		ROCK CREEK, SE TROGE ROAD BRIDGE PLAN AND ELEVATION	
DRAWN BY: SLR CHECKED BY: ASL APPROVED BY: AMO	DATE: 09/16/11 DATE: 09/16/11 DATE: 09/16/11	REVISION No.: DATE: REVISION No.: DATE:	SHEET No.: ST 2.01	Drawing name: L:\Projects\1530015343D\wp\343ST201.dwg Oct 26, 2011 - 3:38pm



PLAN
SCALE: 1"=20'



ELEVATION
SCALE: 1"=20'

CLACKAMAS COUNTY DEPARTMENT OF TRANSPORTATION AND DEVELOPMENT		172nd / 190th CORRIDOR PLAN	
 172nd / 190th Corridor Plan		ROCK CREEK HEMRICK RD TRIB, SE FOSTER RD CULVERT REPLACEMENT PLAN AND ELEVATION	
DRAWN BY SLR	DATE 09/16/11	REVISION No. DATE	SHEET No. ST 3.01
CHECKED BY ASL	DATE 09/16/11	REVISION No. DATE	
APPROVED BY AMO	DATE 09/16/11	REVISION No. DATE	

Drawing name: L:\Project\1530015343D\wp\3435T301.dwg Oct 26, 2011 - 3:34pm

